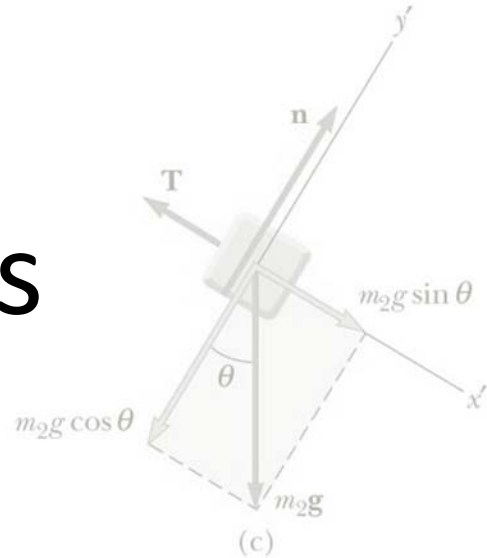
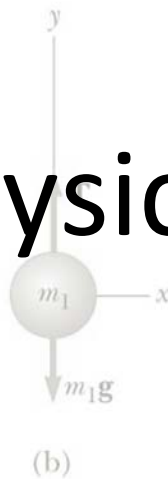
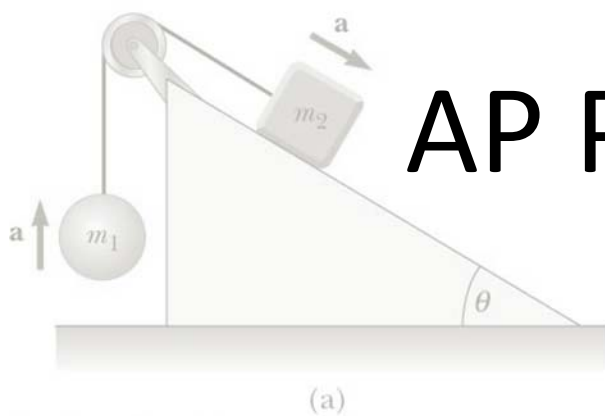


AP Physics



© 2004 Thomson/Brooks Cole

Dear prospective AP physics students,

I am very excited about next year's AP physics class; I hope you will find it enjoyable and enlightening. The course, however, does require some basic knowledge about calculus. Since many of you will be taking calculus concurrently, but have not had it previously, I propose that we hold a three-day summer crash course to cover the basics as much as possible. This will allow us to start the AP physics material at the beginning of the school year, rather than spending the first two to three weeks of class covering calculus. If at all possible, I strongly encourage you to attend. (If you have a conflict, please come see me as soon as possible and we will work something else out to get you the calculus you need this summer.)

Dates: Tuesday-Thursday, July 27-29, 2010

Time: 8 AM – Noon

Location: My room (T-11)

Best wishes in all your endeavors this summer,
Dr. Call

